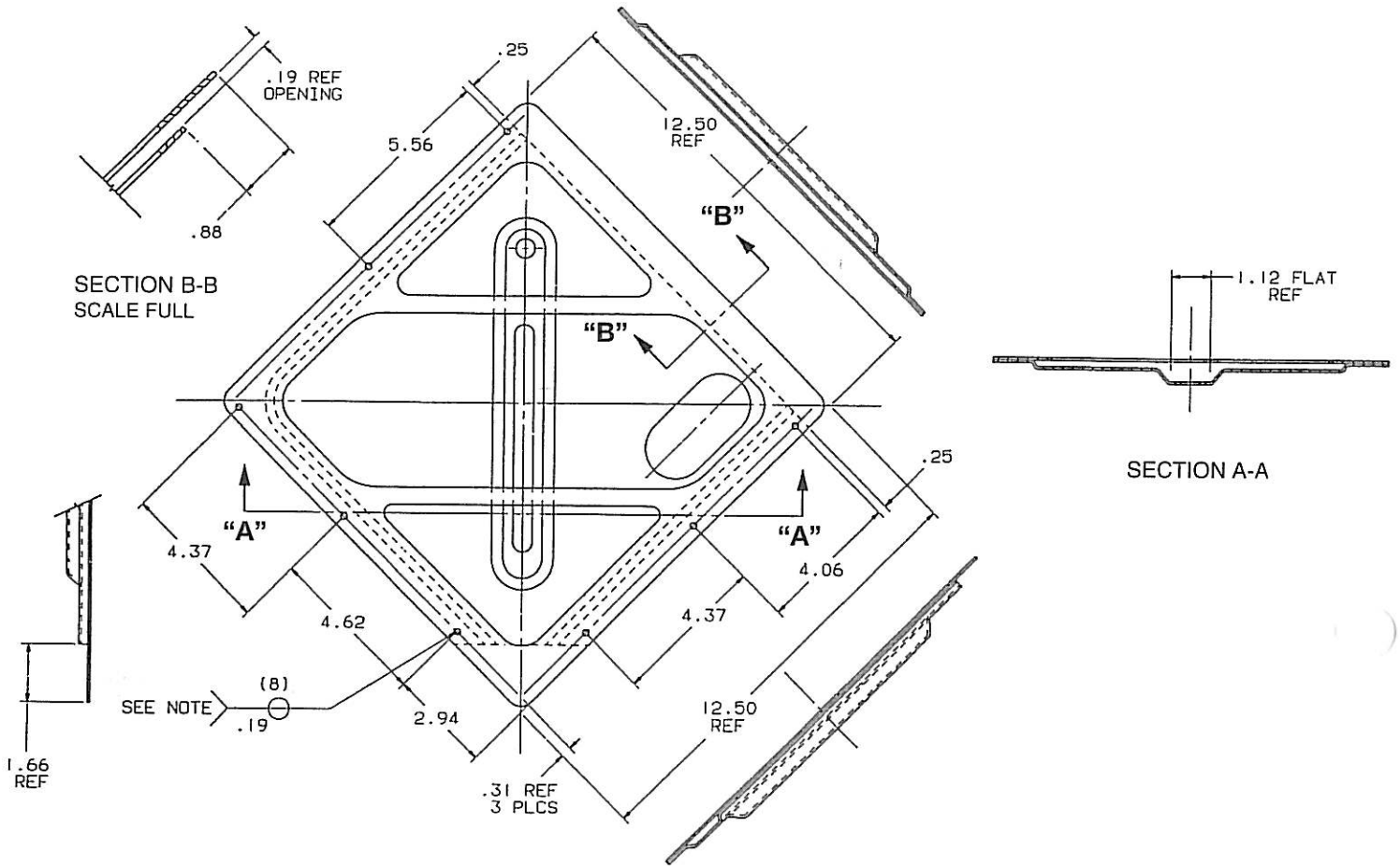


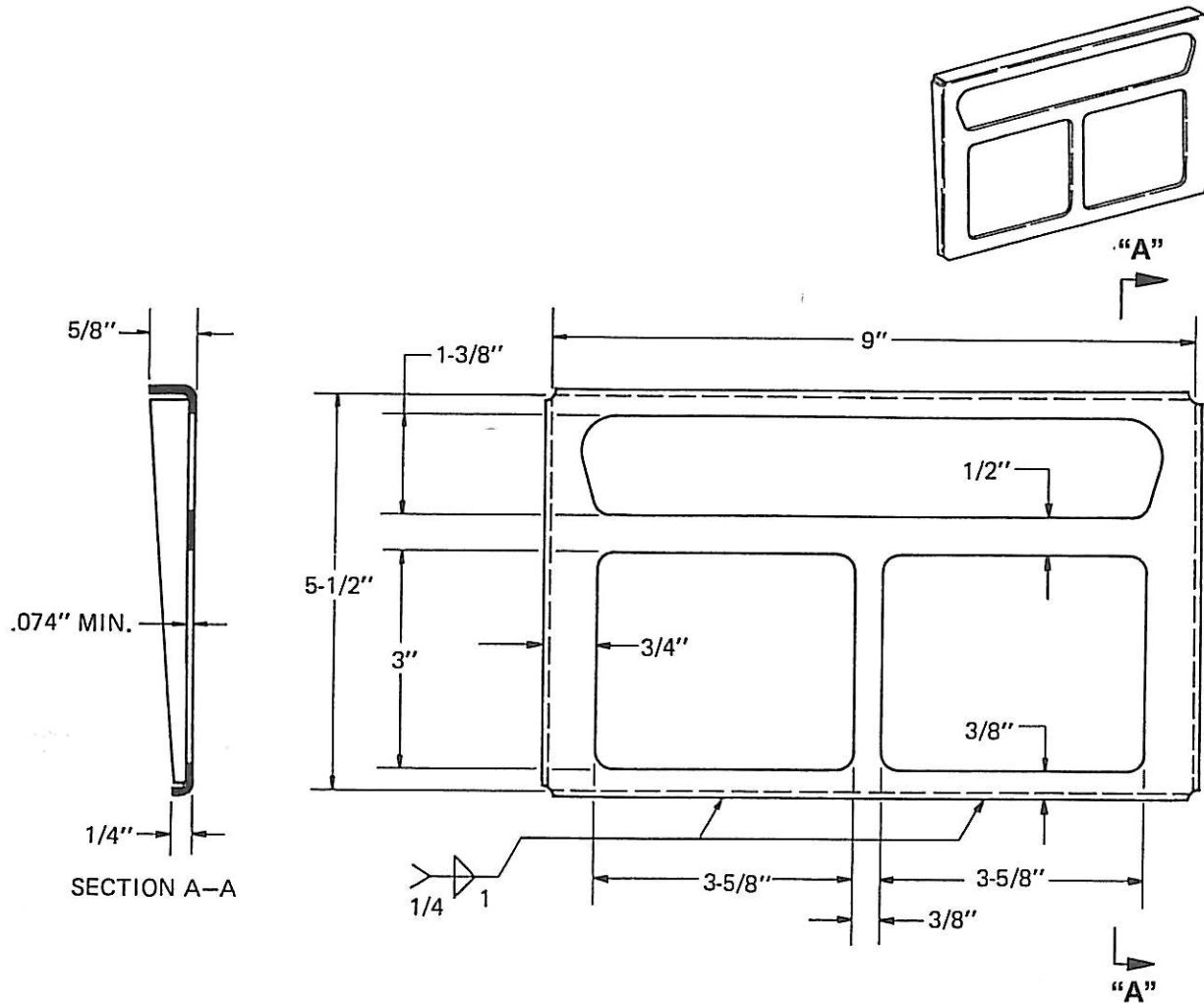
DEFECT CARD HOLDER	MATERIAL	WEIGHT
DWG. 1-C-8635 Stock Part 6C863500	Cd. Rec.- SCH. 80 Pipe Frame - .10" Thick Hinge Pin - .3125" Rod	2.8 lbs.

Accessible from both ends may be riveted, bolted or welded to the car. Dimensions conform to AAR recommended practice.



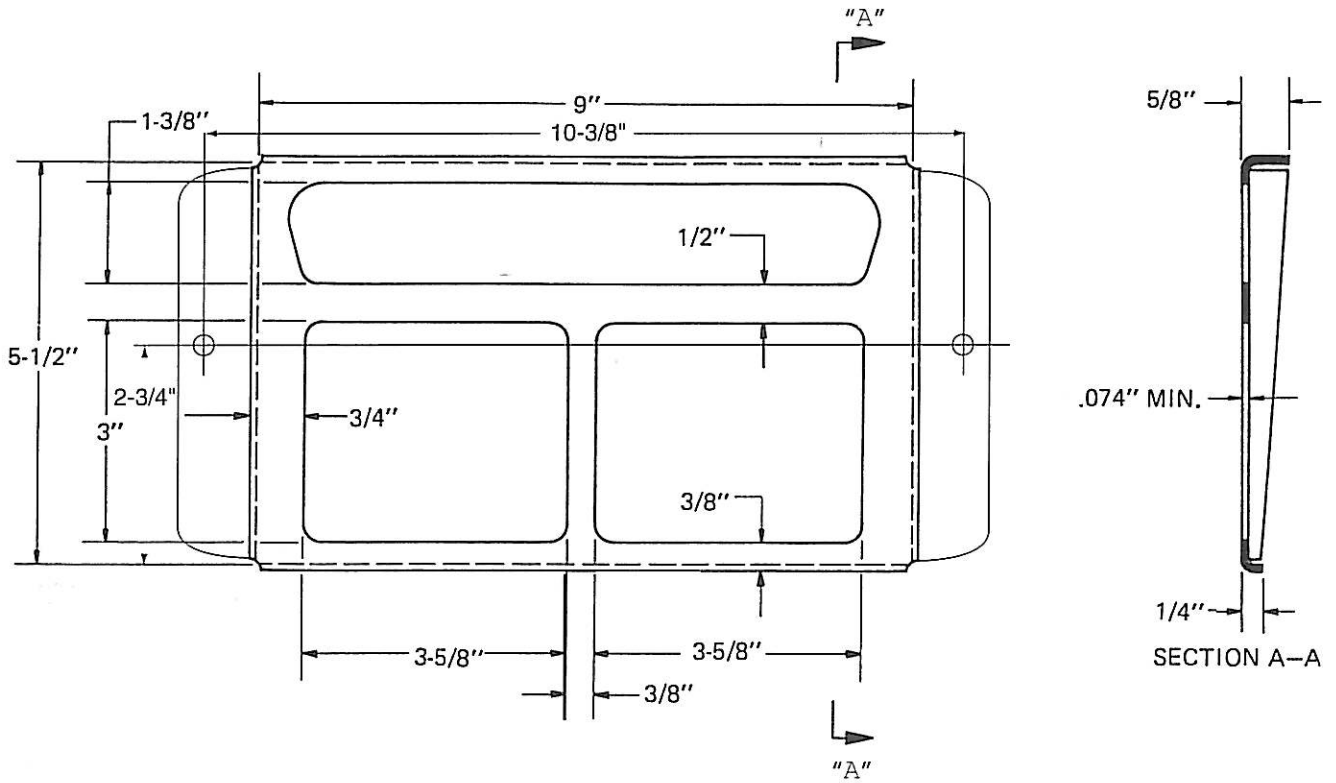
All dimensions in inches

PLACARD HOLDER	MATERIAL	WEIGHT
DWG. 3-K-5986 Stock Part 50092519	ASTM A-569 14 GA (.0747) Cu. 20% Min.	4 lbs.

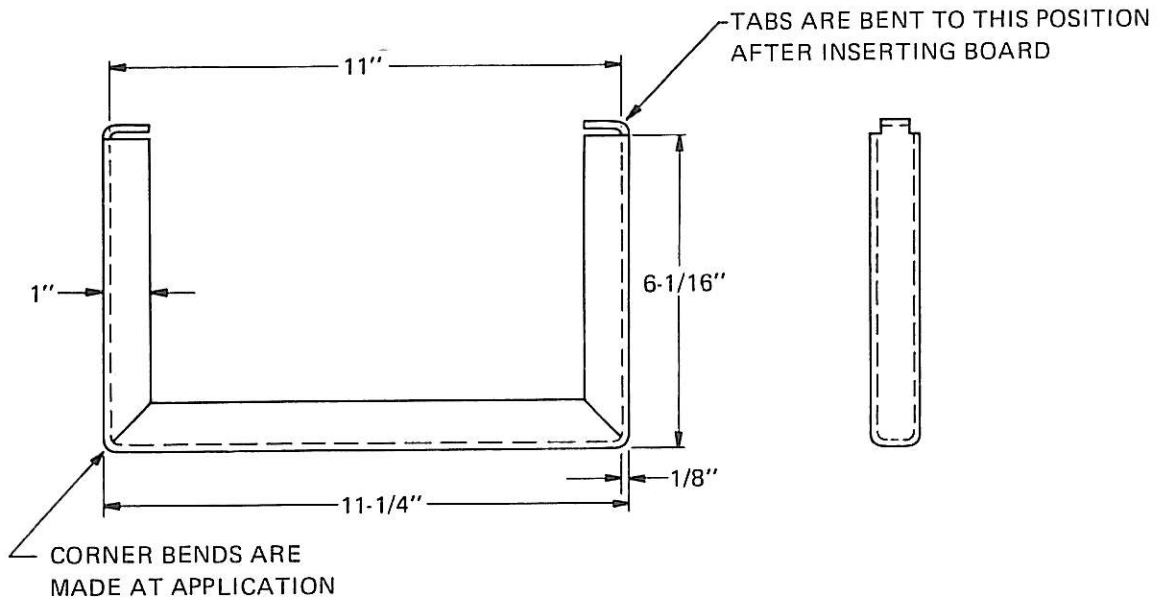
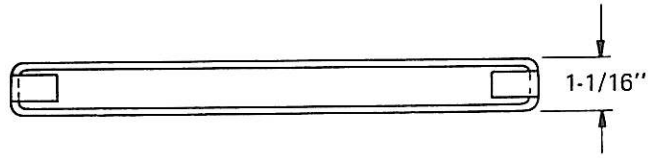


ROUTE CARD HOLDER	MATERIAL	WEIGHT
DWG. 2-G-8768 Stock Part 50094480	ASTM A-570 Gr. A Cu. .20% Min.	.86 lbs.

Part to be zinc plated per ASTM A-164 Type R.S. forming.

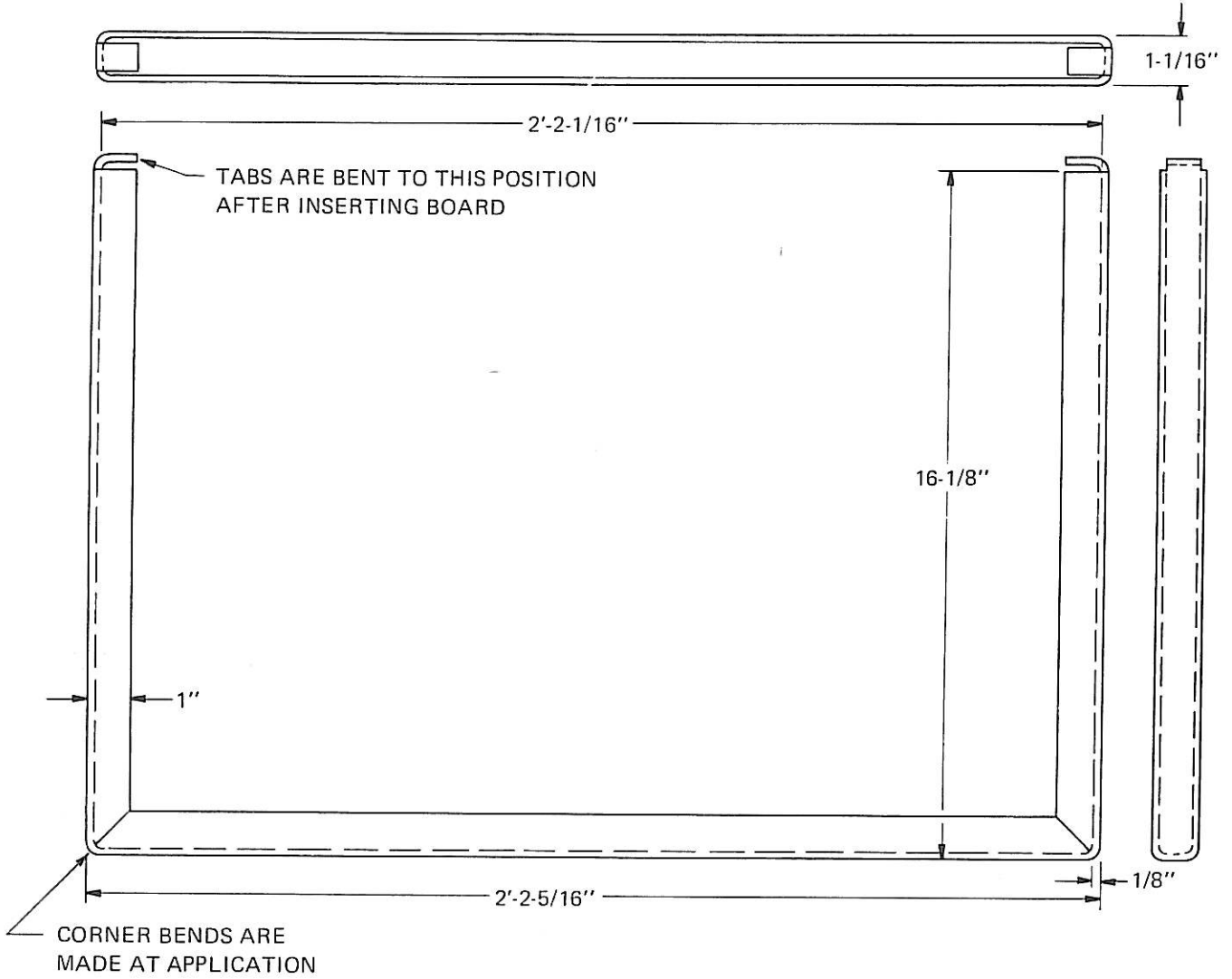


ROUTE CARD HOLDER	MATERIAL	WEIGHT
DWG. 4-U-5581-01 Stock Part 4U558101	ASTM B-209 3003-H14	.33 lbs.



PLACARD BOARD FRAME	MATERIAL	WEIGHT
DWG. 1-F-0048 Stock Part 50096417	ASTM A-570 Gr. A Cu. .20% Min.	1.65 lbs.

Applied by welding. Conforms to AAR plate 246 design.



ROUTE BOARD FRAME	MATERIAL	WEIGHT
DWG. 1-F-0453 Stock Part 50096416	ASTM A-570 Gr. A Cu. .20% Min.	4.5 lbs.

Applied by welding. Conforms to AAR plate 246 design.