

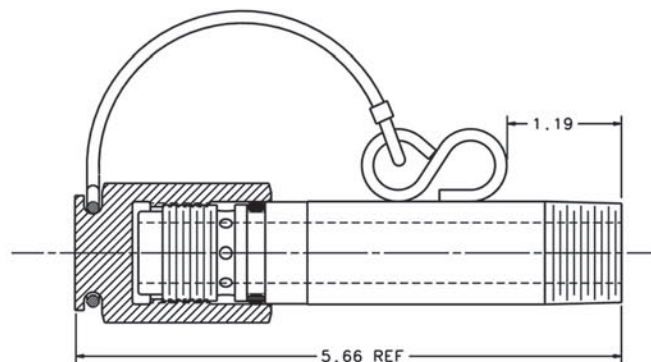


ARI Thermowell

AGILE ♦ RESPONSIVE ♦ INNOVATIVE™



- Stainless Steel or Carbon Steel Body and Cap
- No Gasket Needed Under Cap
- 8 Pressure Relief Holes on the Body Sealed by the O-Ring
- Pressure Relief Holes Safe from the Elements Preventing Blockage



For additional information or to place an order, contact ARI Special Products

636-940-6020

specialproducts@americanrailcar.com

Accepting Visa, MC and Discover for qualified customers



SPECIAL PRODUCTS
AMERICAN RAILCAR INDUSTRIES, INC.

100 Clark Street, St. Charles, Missouri 63301

(636) 940-6020 • (636) 940-6100 FAX

e-mail: sales@americanrailcar.com / website: www.americanrailcar.com

AGILE ♦ RESPONSIVE ♦ INNOVATIVE™